

**Exolon® multi UV Onda/ Greca**  
Corrugated Sheets



## Exolon Group

### **Passionate about plastic sheets –**

Exolon Group is a leading supplier of solid and multiwall sheets for various innovative applications. The company develops, produces and distributes polycarbonate sheets, polyester sheets and opaque sheet material made of high-quality plastic.

**Going beyond** the obvious is our daily business, whether it is about the development of our products or the personal service we provide to our customers, to realize their needs. We are an inspiring partner with a human touch, that is putting our clients in the lead by listening, understanding, providing solutions and better experiences. We show what is and what is possible. And we make it happen.

### **New name with 40 years of experience**

Even though the name is still young, Exolon Group has over 40 years of combined expertise in the extrusion of thermoplastic sheets. Exolon Group combines proven tradition with forward-looking innovations. Since 2020, the company has been part of the Serafin Group based in Munich.

### **Strong, clear, flexible.**

The diverse European market demands flexibility and innovative spirit. In order to maintain its leading role, Exolon Group is therefore constantly driving new developments and conquering new business areas – close to the market and close to the customer. We are strong and confident about our skills, expertise and experience. clear and straightforward in the way we behave and speak and flexible in our mindset. Including the selection and compilation of suitable raw materials, the ongoing optimization of production processes, the continuous training of employees and the promotion of innovative technologies.

# Transform your space with Light and Durability

Transparent corrugated polycarbonate sheets, including **Exolon® multi UV Onda** and **Exolon® multi UV Greca**, are high-quality roofing and cladding materials. Made from durable polycarbonate, these sheets offer excellent strength, impact resistance, and weathering capabilities.

## Key Advantages:

- ✓ **High Durability:** Made from top-quality polycarbonate material.
- ✓ **Enhanced Strength:** Corrugated and trapezoidal designs add rigidity.
- ✓ **Excellent Light Transmission:** Ideal for applications requiring natural light.
- ✓ **UV Protection:** Available with a UV protective coating for outdoor use.
- ✓ **Ease of Installation:** Lightweight and easy to handle, cut, and install.

Exolon® sheets in general are renowned for good transparency, extremely high break resistance and impact strength, high dimensional behaviour stability and good electric insulation. They also obtain excellent fire ratings. Thanks to the excellent extrusion expertise of the Exolon Group, our comprehensive quality management system and

our advanced production processes, the consistency of our sheets is certified in accordance with DIN ISO 9001/2.

## Light transmission

Ensuring the correct supply of sunlight into buildings significantly increases their sustainability. This is because sunlight reduces the electricity consumption of lighting, which consequently reduces its impact on the environment. Additionally, sunlight improves perceived well-being in a room, and in workplaces it increases productivity and safety.

## Certified Fire Classification

Exolon® Corrugated sheets comply with the strict EU standards in the area of fire classification according to EN 13501-1. In realistic large fire testing, our products were classified as a flame-retardant building material. The use of Exolon® Sheets reduces the thermal load on buildings and the required fire resistance of building components. Suitable fire protection methods must be accounted for when considering the total fire protection concept for each building.

## Easy to handle

Exolon® corrugated sheets are easy to handle and assemble.

**Make the smart choice with Exolon® Multi UV Greca and Onda – where quality meets innovation.**

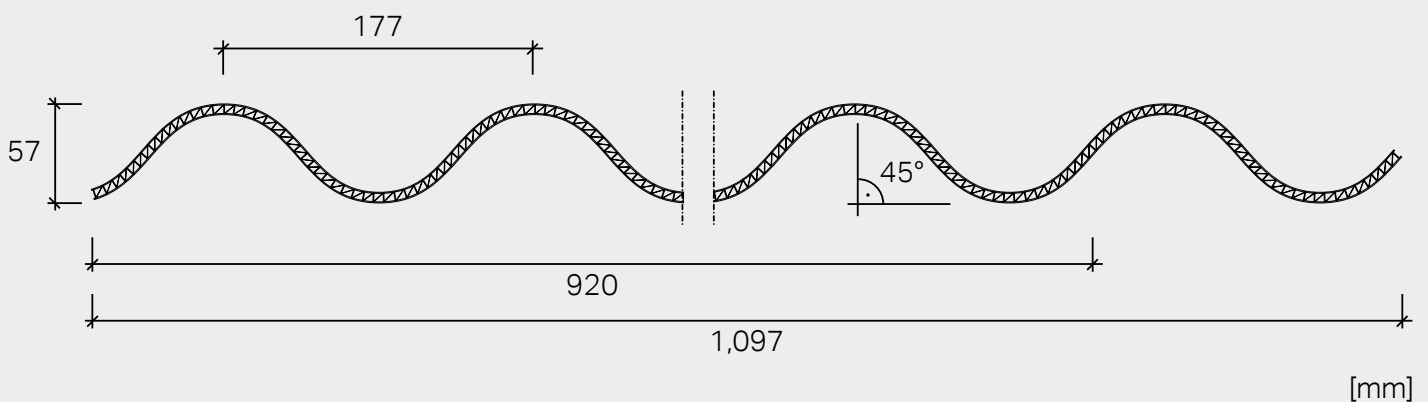




# Exolon® multi UV Onda 6

**Exolon® multi UV Onda 6** is a corrugated multiwall polycarbonate sheet. It combines good load bearing properties, light transmission and excellent weather resistance. The sheet is lightweight, impact resistant and easy to install.

The UV coating of **Exolon® multi UV Onda 6** is applied by coextrusion and is homogeneously fused with the sheet. We give a 10-year warranty on this highly effective protection against sunlight and weathering. It must be ensured when installing the sheet that the UV coating faces upwards/outwards (towards the sun).



## BENEFITS

- ✓ Good load bearing properties
- ✓ Good light transmission
- ✓ Thermal insulation
- ✓ Easy to install

## AREAS OF APPLICATION

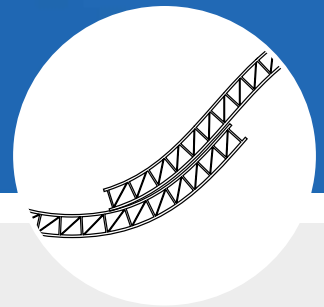
**Exolon® multi UV Onda 6**, with its thermosealed ends and optional corner cutting, is an ideal solution for roofing applications, particularly recommended for industrial and agricultural buildings due to its compatibility with continuous roof installation and fiber cement shape 177/51 for both roof and wall applications.

## TECHNICAL DATA

Area weight	2.0 kg/m <sup>2</sup>
Thickness	6 mm
Sheet width	920–1,097 mm ± 5 mm
Possible delivery lengths	on request
Light transmittance $\tau_{D65}$ (UV-absorbing)	clear 1099 frost: ca. 72 % white 1146: ca. 65 % white 1125: ca. 20 %
Total energy transmission g	clear 1099 frost: ca. 70 % white 1146: ca. 69 % white 1125: ca. 26 %
Heat transfer coefficient Ug <sup>1)</sup>	3.3 W/m <sup>2</sup> K
Coefficient of thermal expansion $\alpha$	0.065 mm/m °C
Possible expansion due to heat and moisture	3 mm/m
Max. service temperature without load	+120 °C
Fire rating (Europe) <sup>2)</sup>	B-s1, d0 (EN 13501-1)
Min. recommended slope	5°

<sup>1)</sup> Heat transfer coefficient Ug according to EN ISO 10077-2

<sup>2)</sup> Fire certificates are limited in time and scope, always check if the mentioned certificate is valid for the purchased Polycarbonate sheet type at the date of delivery. Polycarbonate sheets may change their fire behavior due to ageing and weathering. The indicated fire rating was tested on new / unweathered Product in accordance with the indicated fire classification standards.



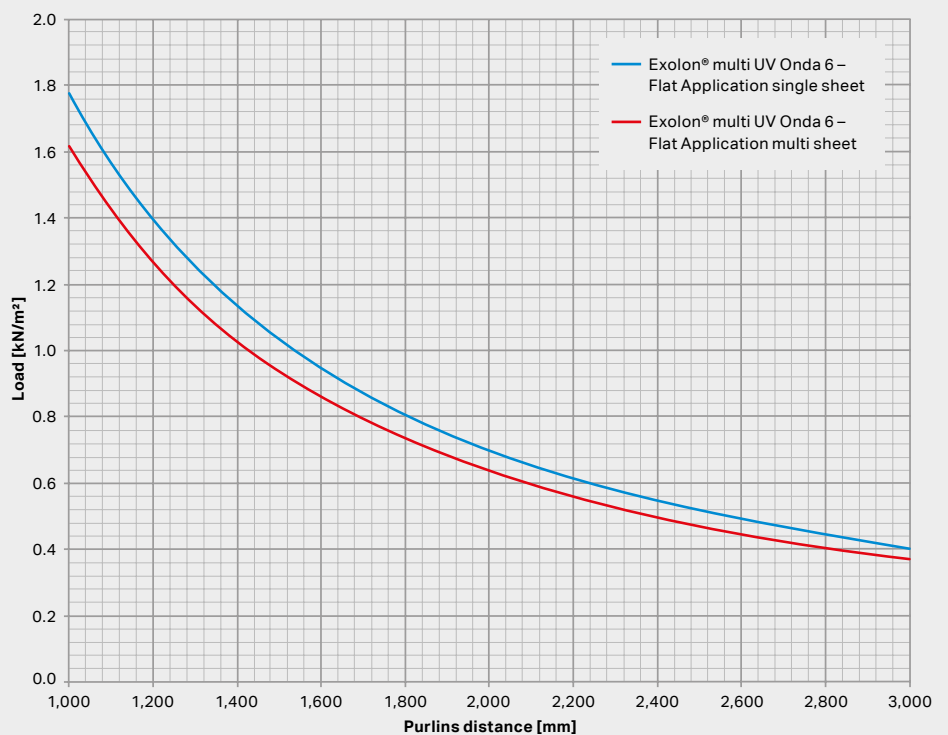
## MECHANICAL PERFORMANCES

When using **Exolon® multi UV Onda 6** in roof installations, the forces exerted by snow and wind loads must be absorbed by a suitable substructure. We recommend implementing the support distance indicated in the diagram for the respective loads.

The diagram shows the load-bearing capacity of **Exolon® multi UV Onda 6**.

The values are indicative values, evaluated by tests on actual systems. The load values do not replace any official value calculated by an expert or a notified body. Adequate safety margins must be observed in addition to these values. The margins are to be assessed on a case-by case basis.

**These specifications do not replace national regulations, such as building inspectorate approval in Germany (DIBt), Avis Techniques in France etc.**



Further information can be obtained on request.

## Exolon® multi UV Onda Installations

Exolon® multi UV Onda is designed to create skylights in combination with glass fibre reinforced panels or for continuous skylights. The installation requires dedicated holes on the top of wave's crest which allow the positioning of screws corresponding the purlins of the supporting structure and the thermal expansion of polycarbonate panels.

The screws used for fixing should be provided with proper gaskets to prevent possible water infiltration. For slopes greater than 6 m in length, it recommends the use of more overlapped sheets with a depth of at least 200 mm overlap.

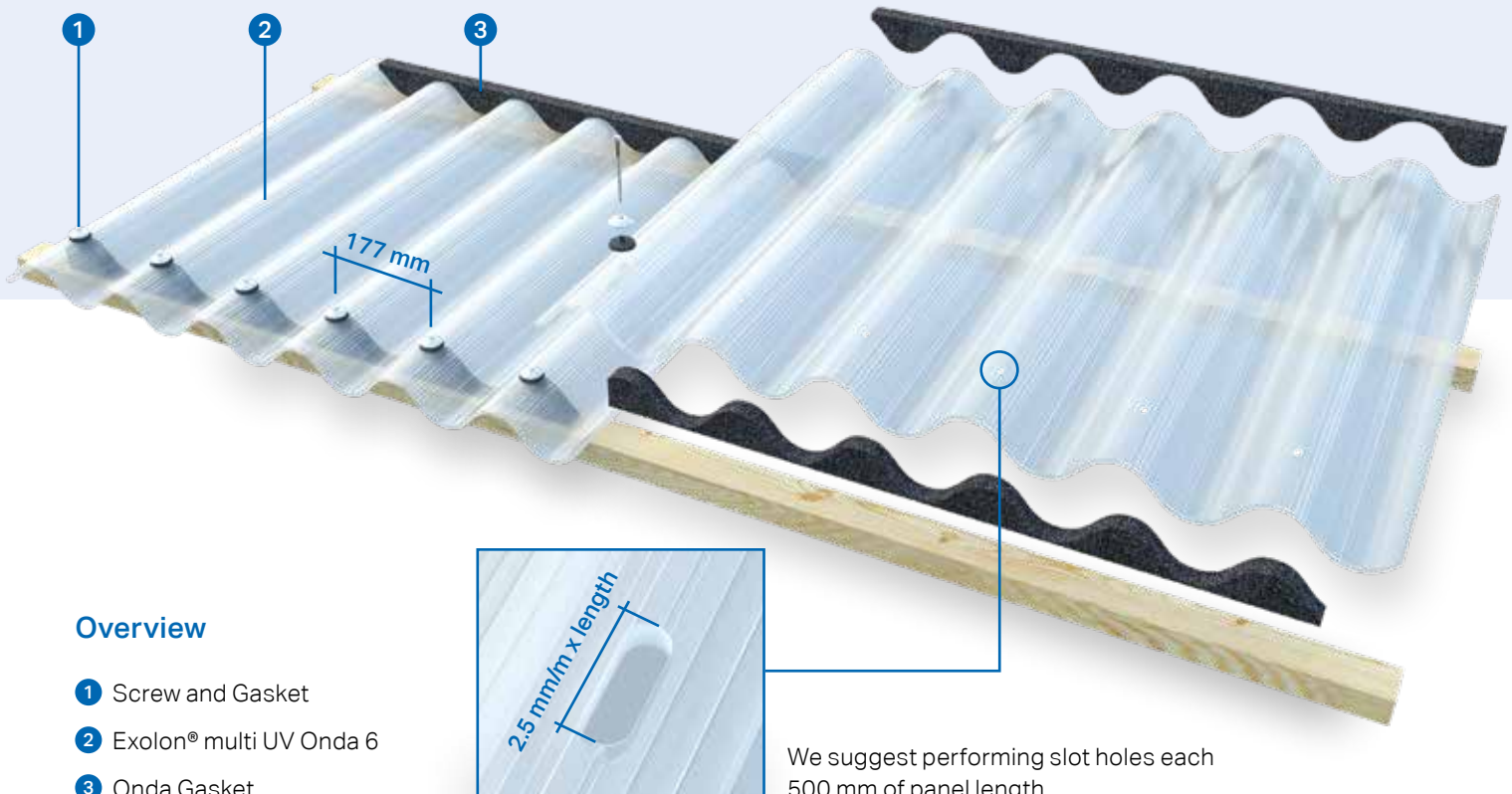
The placement of a PE adhesive gasket between the two overlapped sheets is always recommended.

**Exolon® multi UV Onda** are supplied thermosealed at the ends reducing the water/dirty infiltration but it will not

prevent the moisture formation inside the air chambers of the **Exolon® multi UV Onda** which is a natural phenomenon linked to the property of polycarbonate material.

The presence of small holes on the edge can't be considered a defect that can be closed with a thin layer of silicone compatible with the polycarbonate.

Screws must be installed on each crest with the proper gasket and metal ring, the distance between two crests is 177 mm.

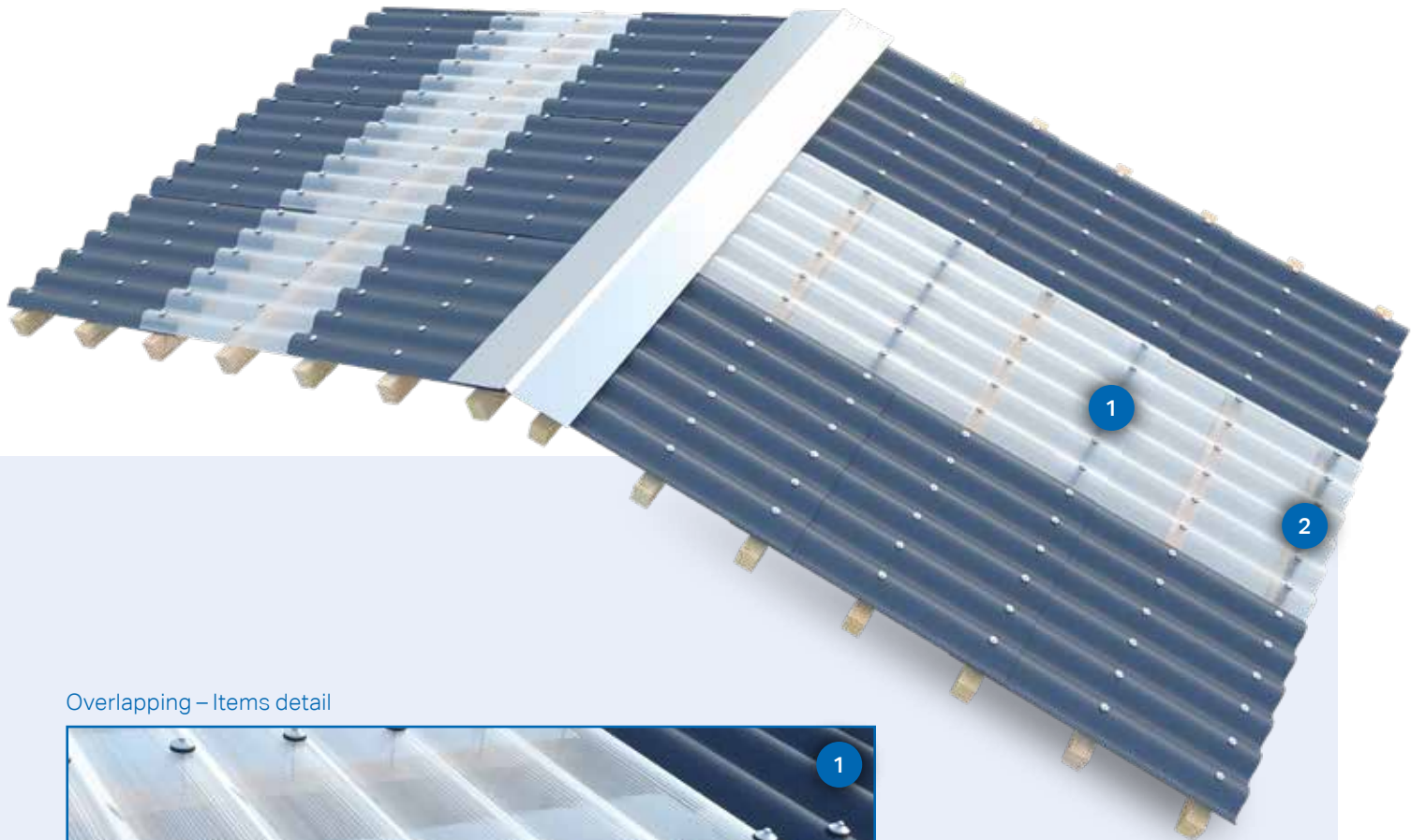


### Overview

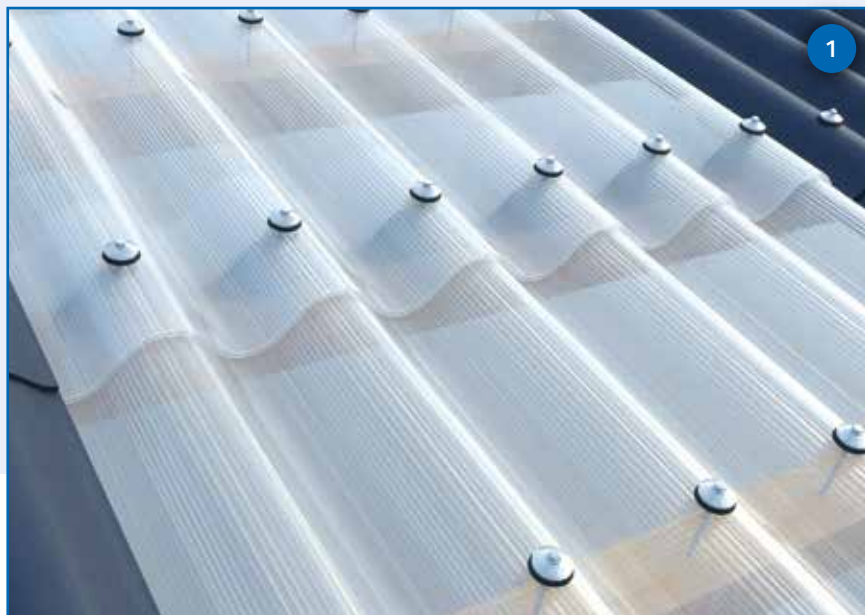
- 1 Screw and Gasket
- 2 Exolon® multi UV Onda 6
- 3 Onda Gasket

We suggest performing slot holes each 500 mm of panel length.

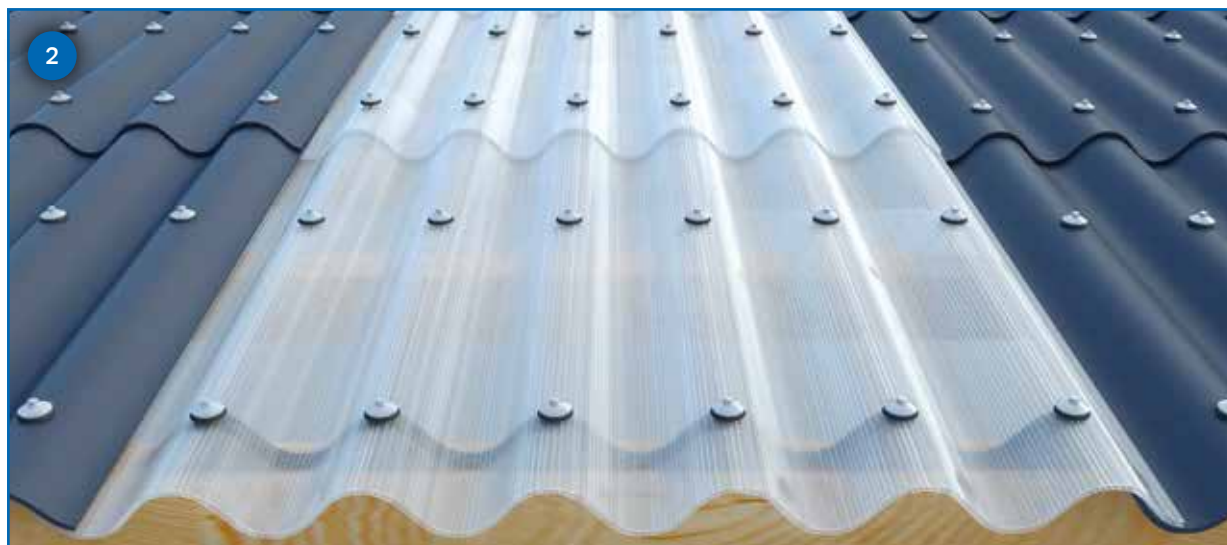




Overlapping – Items detail



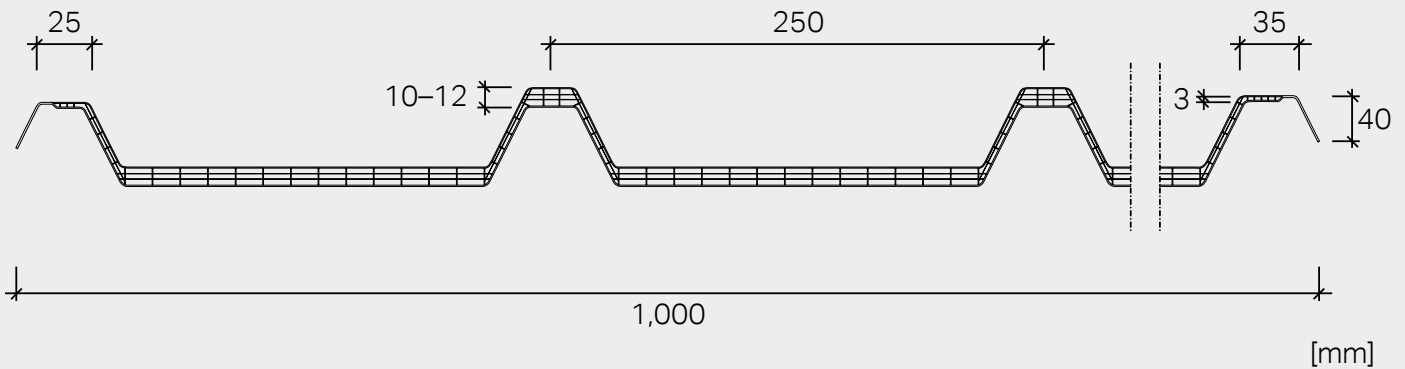
Bottom line with gasket



# Exolon® multi UV Greca 5G – 10 / 12 mm

**Exolon® multi UV Greca 5G** is a 4-wall polycarbonate sheet with a tunnel structure and a greca profile. It combines good load bearing properties, light transmission and excellent weather resistance. The sheet is lightweight, impact resistant and easy to install.

The UV coating of **Exolon® multi UV Greca 5G** is applied by coextrusion and is homogenously fused with the sheet. We give a 10-year warranty on this highly effective protection against sunlight and weathering. It must be ensured when installing the sheet that the UV coating faces upwards/outwards (towards the sun).



Adjustment of the edges could be required in the following range: Min. 20 mm and Max. 40 mm

## BENEFITS

- ✓ Good load bearing properties
- ✓ Good light transmission
- ✓ Thermal insulation
- ✓ Easy to install

## AREAS OF APPLICATION

**Exolon® multi UV Greca 5G** is an ideal choice for roofing or for combining with sandwich panels. Greca sheets are recommended for use in conjunction with sandwich panels or continuous roof coverings, and they are supplied in custom sizes with thermosealed ends for enhanced durability and protection.

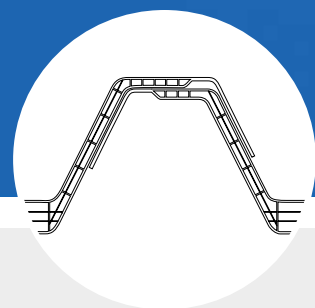
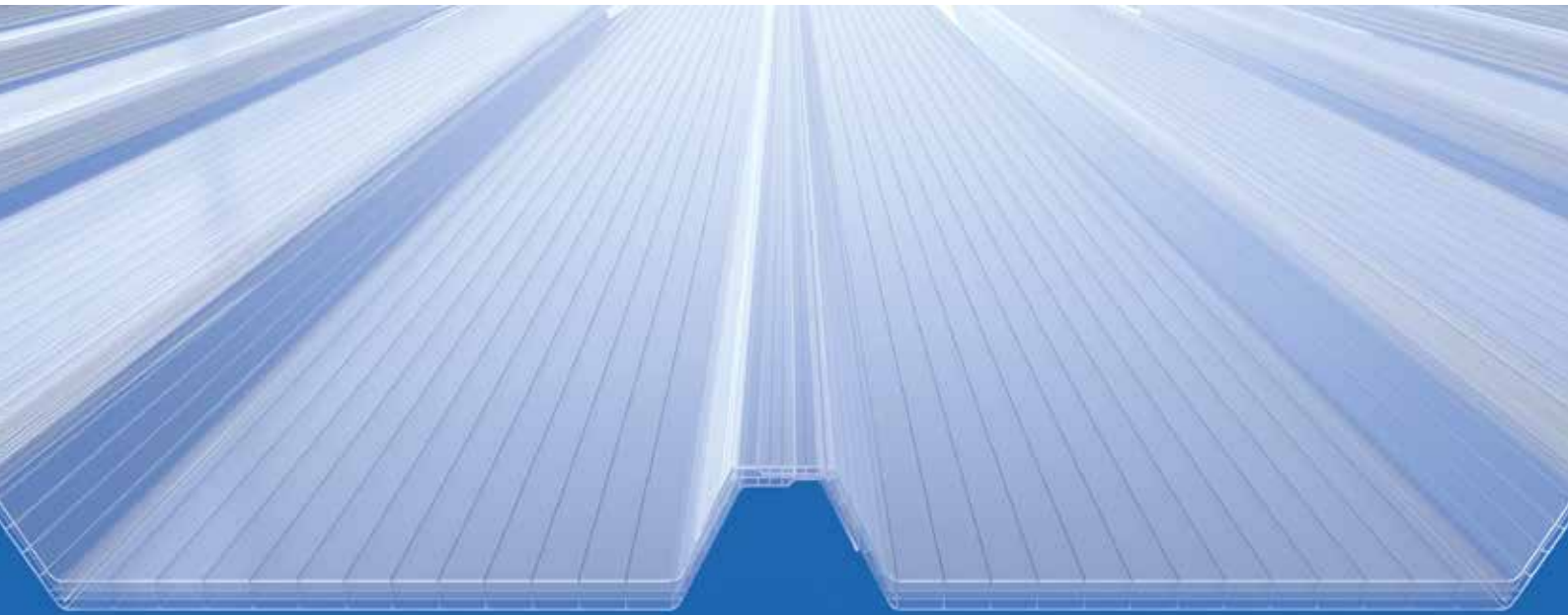
## TECHNICAL DATA

	10 mm	12 mm
Thickness	10 mm	12 mm
Sheet width	1,000 mm ± 5 mm	1,000 mm ± 5 mm
Possible delivery lengths	on request	on request
Light transmittance $\tau_{D65}$ (UV-absorbing)	clear 1099 frost: ca. 74 % white 1146: ca. 52 %	clear 1099 frost: ca. 73 % white 1146: ca. 50 %
Total energy transmission g	clear 1099 frost: ca. 71 % white 1146: ca. 60 %	clear 1099 frost: ca. 70 % white 1146: ca. 58 %
Heat transfer coefficient $U_g$ <sup>1)</sup>	2.6 W/m <sup>2</sup> K	2.4 W/m <sup>2</sup> K
Coefficient of thermal expansion $\alpha$	0.065 mm/m °C	0.065 mm/m °C
Possible expansion due to heat and moisture	3 mm/m	3 mm/m
Max. service temperature without load	+120 °C	+120 °C
Fire rating (Europe) <sup>2)</sup>	B-s1, d0 (EN 13501-1)	B-s1, d0 (EN 13501-1)
Min. recommended slope	5°	5°

<sup>1)</sup> Heat transfer coefficient  $U_g$  according to EN ISO 10077-2

<sup>2)</sup> Fire certificates are limited in time and scope, always check if the mentioned certificate is valid for the purchased Polycarbonate sheet type at the date of delivery. Polycarbonate sheets may change their fire behavior due to ageing and weathering. The indicated fire rating was tested on new / unweathered Product in accordance with the indicated fire classification standards.





## MECHANICAL PERFORMANCES

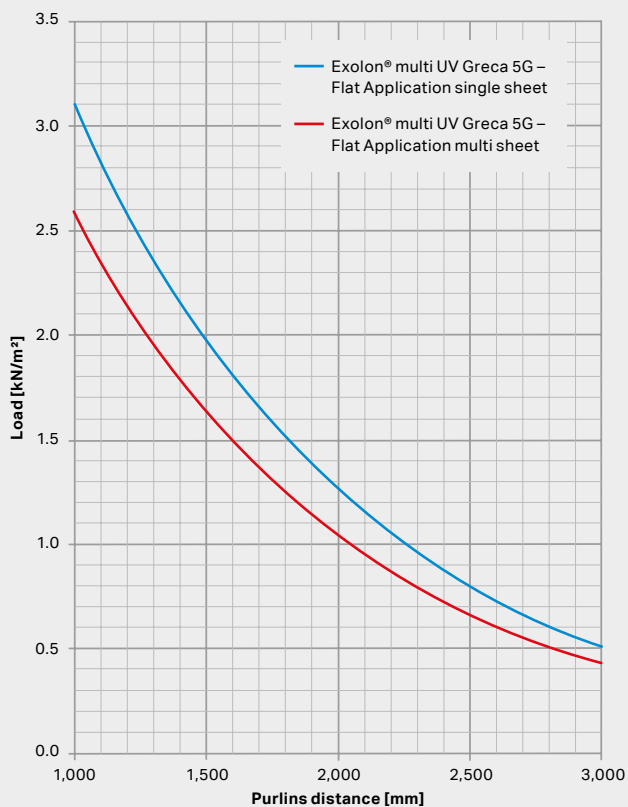
When using **Exolon® multi UV Greca 5G** in roof installations, the forces exerted by snow and wind loads must be absorbed by a suitable substructure. We recommend implementing the support distance indicated in the diagram for the respective loads.

The diagram shows the load-bearing capacity of **Exolon® multi UV Greca 5G**.

The values are indicative values, evaluated by tests on actual systems. The load values do not replace any official value calculated by an expert or a notified body. In general, experience has proven that a safety factor of 1.2 is adequate with regard to the measured resistance values. This safety factor is included in the diagram.

**These specifications do not replace national regulations, such as building inspectorate approval in Germany (DIBt), Avis Techniques in France etc.**

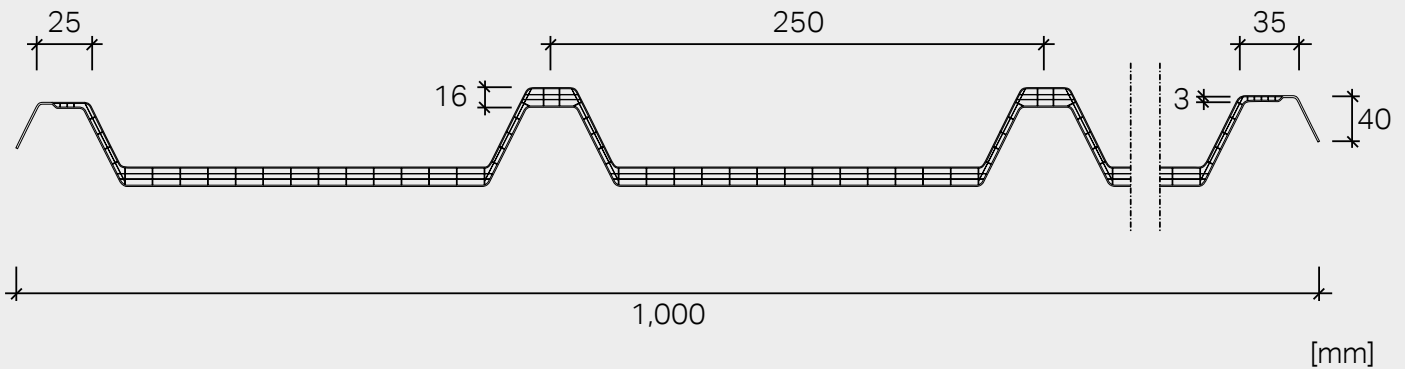
Further information can be obtained on request.



# Exolon® multi UV Greca 5G – 16 mm

**Exolon® multi UV Greca 5G** is a 4-wall polycarbonate sheet with a tunnel structure and a greca profile. It combines good load bearing properties, light transmission and excellent weather resistance. The sheet is lightweight, impact resistant and easy to install.

The UV coating of **Exolon® multi UV Greca 5G** is applied by coextrusion and is homogenously fused with the sheet. We give a 10-year warranty on this highly effective protection against sunlight and weathering. It must be ensured when installing the sheet that the UV coating faces upwards/outwards (towards the sun).



Adjustment of the edges could be required in the following range: Min. 20 mm and Max. 40 mm

## BENEFITS

- ✓ Good load bearing properties
- ✓ Good light transmission
- ✓ Thermal insulation
- ✓ Easy to install

## AREAS OF APPLICATION

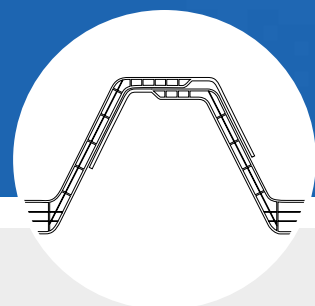
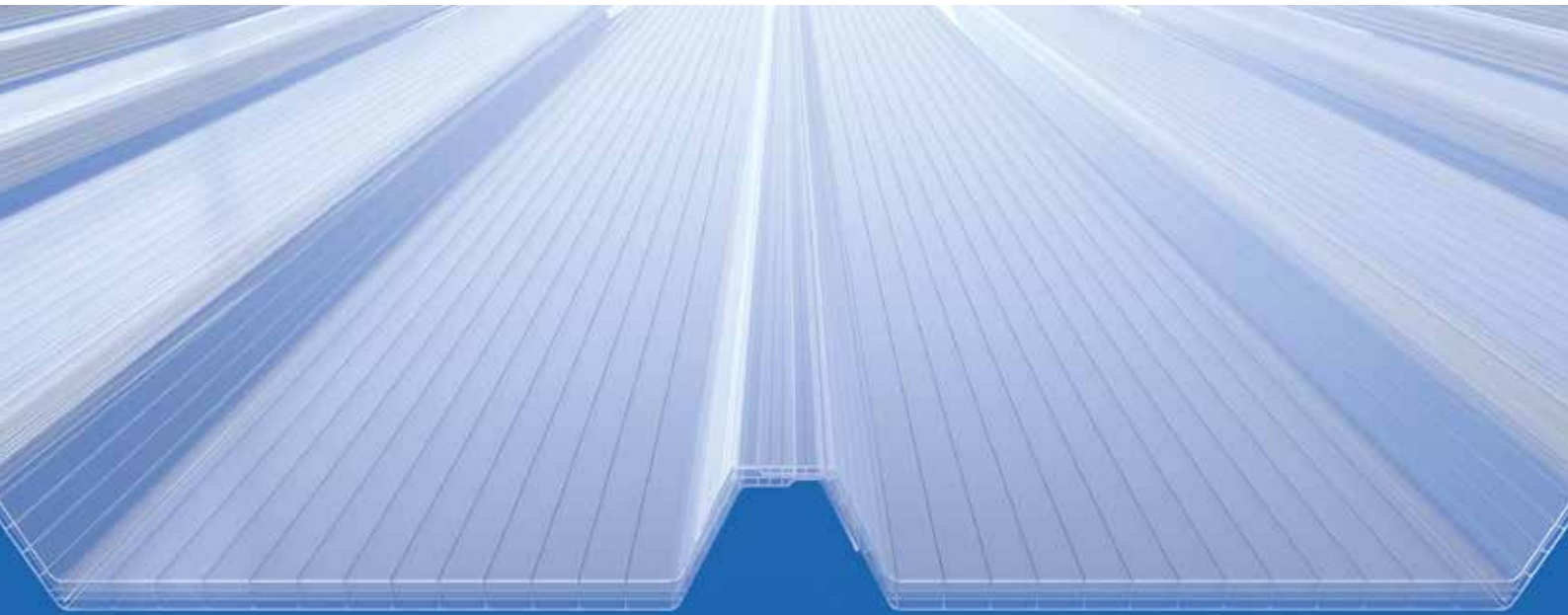
**Exolon® multi UV Greca 5G** is an ideal choice for roofing or for combining with sandwich panels. Greca sheets are recommended for use in conjunction with sandwich panels or continuous roof coverings, and they are supplied in custom sizes with thermosealed ends for enhanced durability and protection.

## TECHNICAL DATA

Thickness	16 mm
Sheet width	1,000 mm ± 5 mm
Possible delivery lengths	on request
Light transmittance $\tau_{D65}$ (UV-absorbing)	clear 1099 frost: ca. 72 % white 1146: ca. 46 %
Total energy transmission g	clear 1099 frost: ca. 69 % white 1146: ca. 53 %
Heat transfer coefficient $U_g$ <sup>1)</sup>	2.0 W/m <sup>2</sup> K
Coefficient of thermal expansion $\alpha$	0.065 mm/m °C
Possible expansion due to heat and moisture	3 mm/m
Max. service temperature without load	+120 °C
Fire rating (Europe) <sup>2)</sup>	B-s1, d0 (EN 13501-1)
Min. recommended slope	5°

<sup>1)</sup> Heat transfer coefficient  $U_g$  according to EN ISO 10077-2

<sup>2)</sup> Fire certificates are limited in time and scope, always check if the mentioned certificate is valid for the purchased Polycarbonate sheet type at the date of delivery. Polycarbonate sheets may change their fire behavior due to ageing and weathering. The indicated fire rating was tested on new / unweathered Product in accordance with the indicated fire classification standards.



## MECHANICAL PERFORMANCES

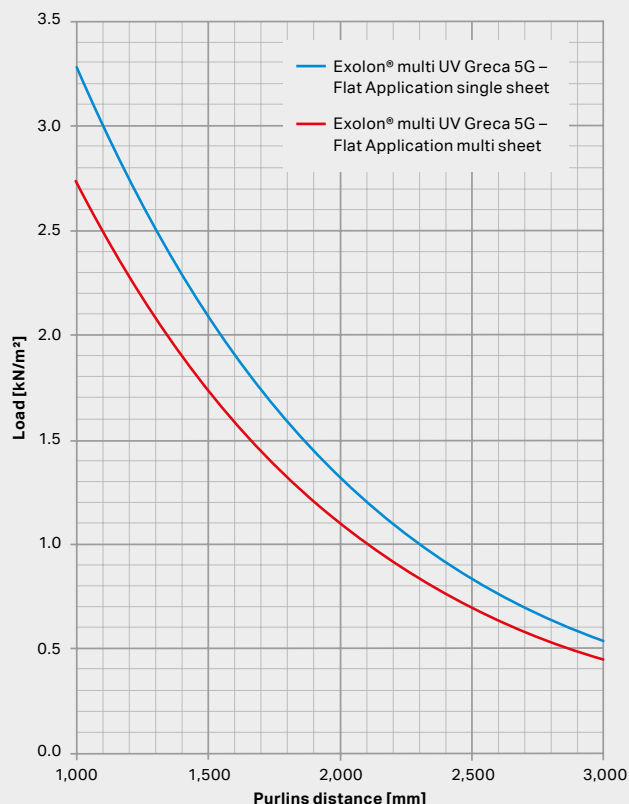
When using **Exolon® multi UV Greca 5G** in roof installations, the forces exerted by snow and wind loads must be absorbed by a suitable substructure. We recommend implementing the support distance indicated in the diagram for the respective loads.

The diagram shows the load-bearing capacity of **Exolon® multi UV Greca 5G**.

The values are indicative values, evaluated by tests on actual systems. The load values do not replace any official value calculated by an expert or a notified body. In general, experience has proven that a safety factor of 1.2 is adequate with regard to the measured resistance values. This safety factor is included in the diagram.

**These specifications do not replace national regulations, such as building inspectorate approval in Germany (DIBt), Avis Techniques in France etc.**

Further information can be obtained on request.

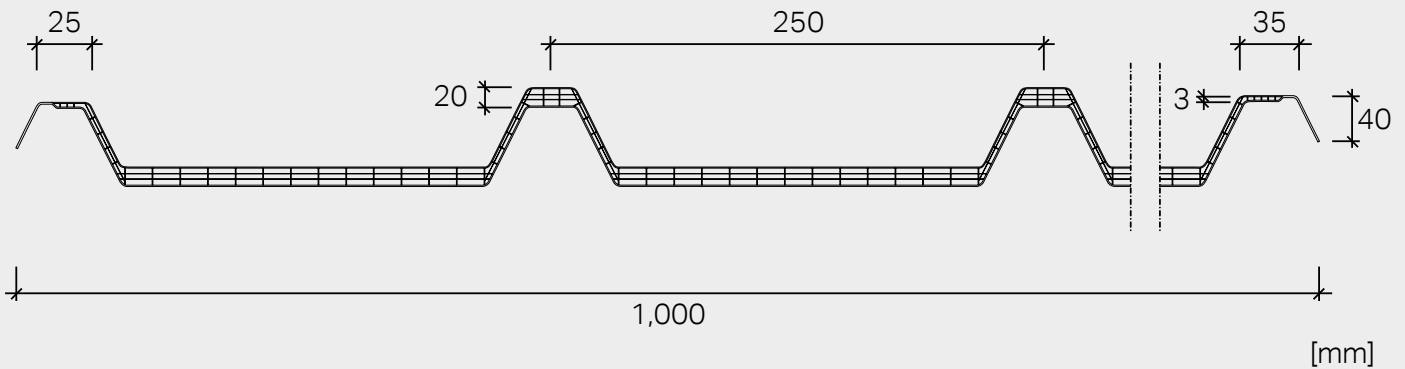




# Exolon® multi UV Greca 5G – 20 mm

**Exolon® multi UV Greca 5G** is a 4-wall polycarbonate sheet with a tunnel structure and a greca profile. It combines good load bearing properties, light transmission and excellent weather resistance. The sheet is lightweight, impact resistant and easy to install.

The UV coating of **Exolon® multi UV Greca 5G** is applied by coextrusion and is homogenously fused with the sheet. We give a 10-year warranty on this highly effective protection against sunlight and weathering. It must be ensured when installing the sheet that the UV coating faces upwards/outwards (towards the sun).



Adjustment of the edges could be required in the following range: Min. 20 mm and Max. 40 mm

## BENEFITS

- ✓ Good load bearing properties
- ✓ Good light transmission
- ✓ Thermal insulation
- ✓ Easy to install

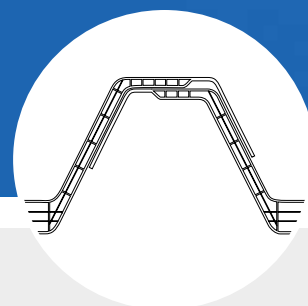
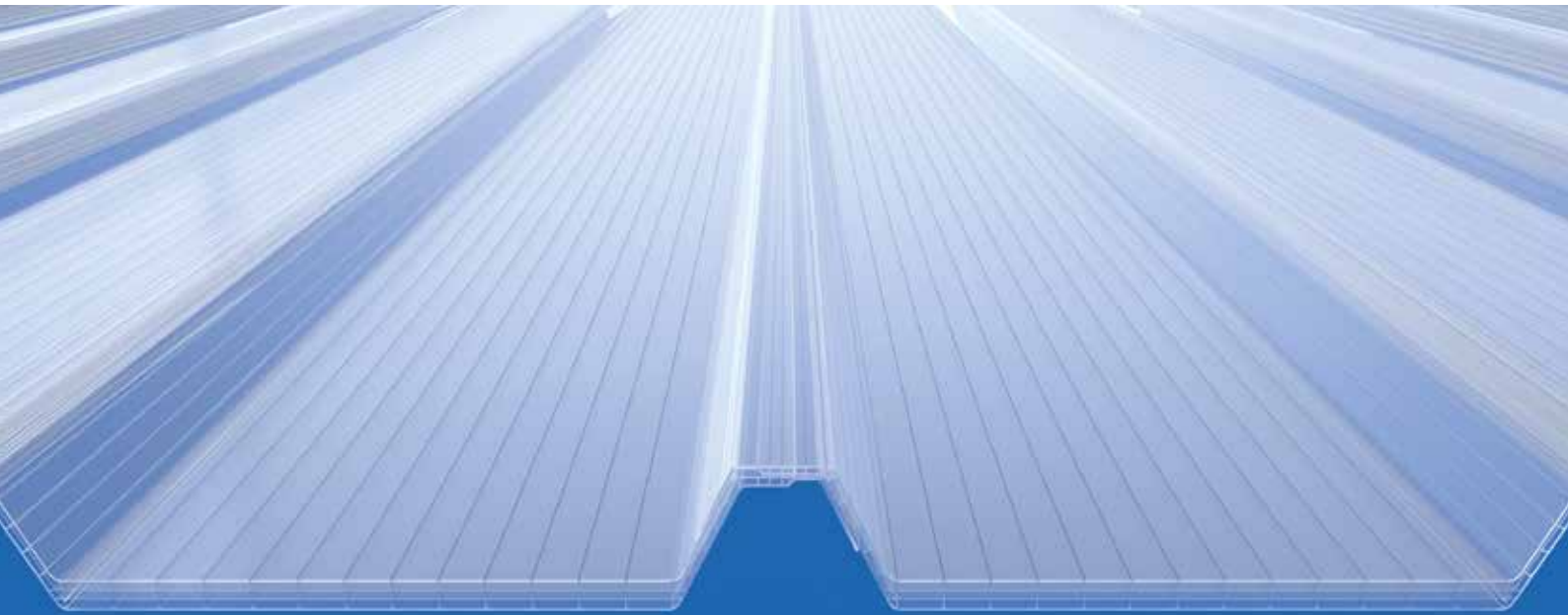
## AREAS OF APPLICATION

**Exolon® multi UV Greca 5G** is an ideal choice for roofing or for combining with sandwich panels. Greca sheets are recommended for use in conjunction with sandwich panels or continuous roof coverings, and they are supplied in custom sizes with thermosealed ends for enhanced durability and protection.

## TECHNICAL DATA

Thickness	20 mm
Sheet width	1,000 mm ± 5 mm
Possible delivery lengths	on request
Light transmittance $\tau_{D65}$ (UV-absorbing)	clear 1099 frost: ca. 71 % white 1146: ca. 45 % CC: 56 %
Total energy transmission g	clear 1099 frost: ca. 68 % white 1146: ca. 52 % CC: 50 %
Heat transfer coefficient $U_g$ <sup>1)</sup>	1.8 W/m <sup>2</sup> K
Coefficient of thermal expansion $\alpha$	0.065 mm/m °C
Possible expansion due to heat and moisture	3 mm/m
Max. service temperature without load	+120 °C
Min. recommended slope	5°

<sup>1)</sup> Heat transfer coefficient  $U_g$  according to EN ISO 10077-2



## MECHANICAL PERFORMANCES

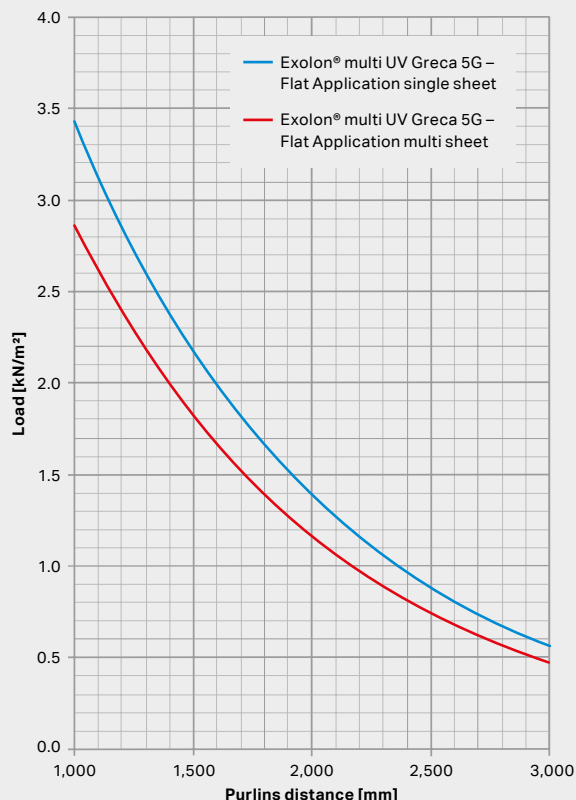
When using **Exolon® multi UV Greca 5G** in roof installations, the forces exerted by snow and wind loads must be absorbed by a suitable substructure. We recommend implementing the support distance indicated in the diagram for the respective loads.

The diagram shows the load-bearing capacity of **Exolon® multi UV Greca 5G**.

The values are indicative values, evaluated by tests on actual systems. The load values do not replace any official value calculated by an expert or a notified body. In general, experience has proven that a safety factor of 1.2 is adequate with regard to the measured resistance values. This safety factor is included in the diagram.

**These specifications do not replace national regulations, such as building inspectorate approval in Germany (DIBt), Avis Techniques in France etc.**

Further information can be obtained on request.



# Exolon® multi UV Greca 5G Installations

The Exolon® multi UV Greca 5G is designed to create roofs to the entire slope (from ridge to eaves) in combination with common insulated panels. The installation requires dedicated holes on the top of panel's crest which allow the positioning of screws corresponding the purlins of the supporting structure and the thermal expansion of polycarbonate panels.

Consequently, the screws used for fixing should be provided with proper gaskets to prevent possible water infiltration.

For roofs longer than 6 m in length, it recommends the use of more overlapped sheets with a depth of at least 200 mm overlap. Polyethylene adhesive gasket (or suitable for PC material) between the two overlapped sheets is always recommended.

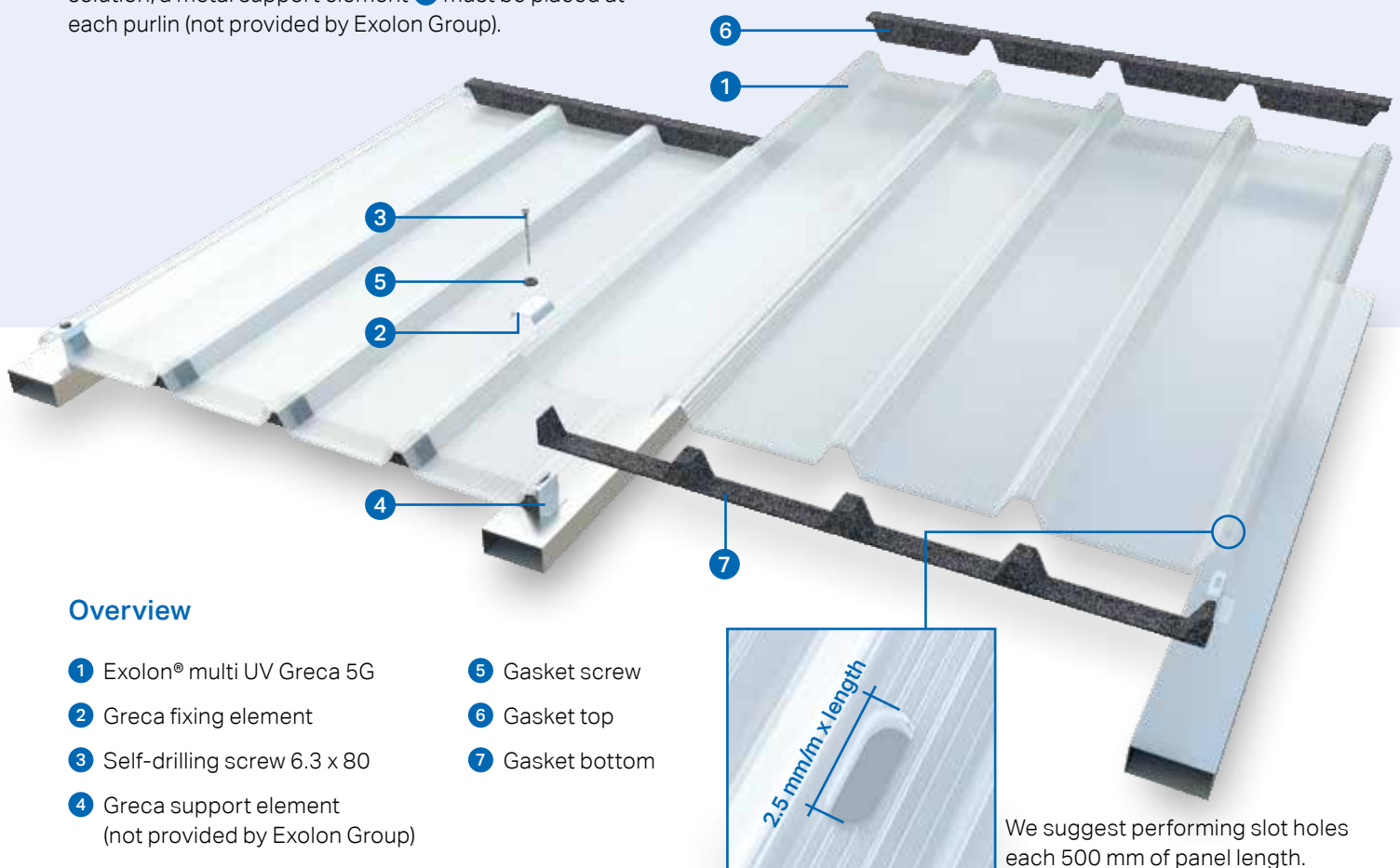
**Exolon® multi UV Greca 5G** will be fixed at all purlins: If the purlins distance is higher than 1,500 mm, we suggest supporting the product with an additional fixing in the middle.

For the support of the empty Greca in case of continuous solution, a metal support element **4** must be placed at each purlin (not provided by Exolon Group).

**Exolon® multi UV Greca 5G** are supplied thermosealed at the ends reducing the water/dirty infiltration but it will not prevent the moisture formation inside the air chambers of the **Exolon® multi UV Greca 5G** which is a natural phenomenon linked to the property of polycarbonate material.

Small holes on the edge can't be considered a defect and can be closed with a thin layer of silicone compatible with the polycarbonate.

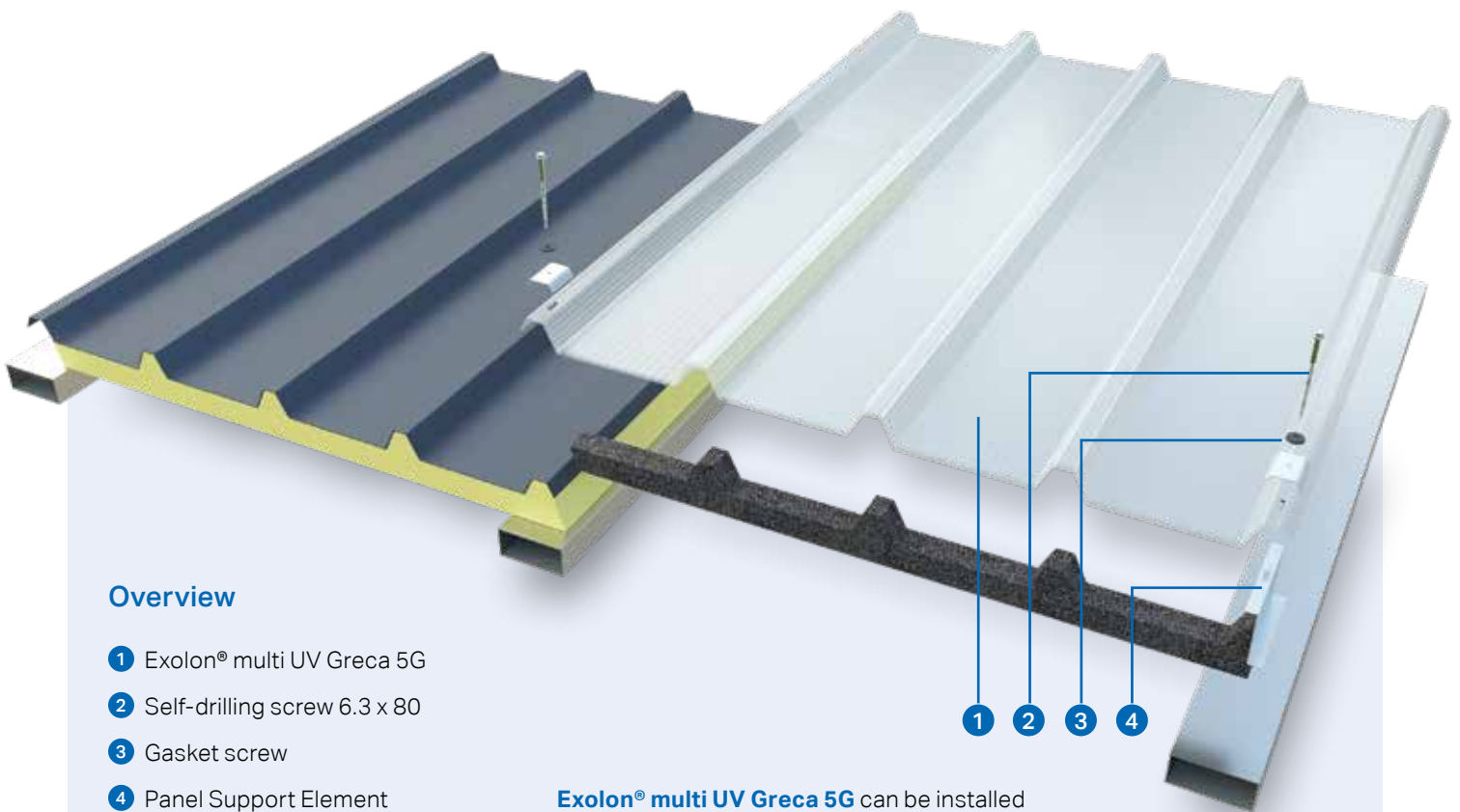
In ridge and eaves should be installed the specific PE spacer to close the space below (gutter **7**) and above (top) of the shape **6**.



## Overview

- |  |                        |
|--|------------------------|
| <b>1</b> Exolon® multi UV Greca 5G                               | <b>5</b> Gasket screw  |
| <b>2</b> Greca fixing element                                    | <b>6</b> Gasket top    |
| <b>3</b> Self-drilling screw 6.3 x 20                            | <b>7</b> Gasket bottom |
| <b>4</b> Greca support element<br>(not provided by Exolon Group) |                        |

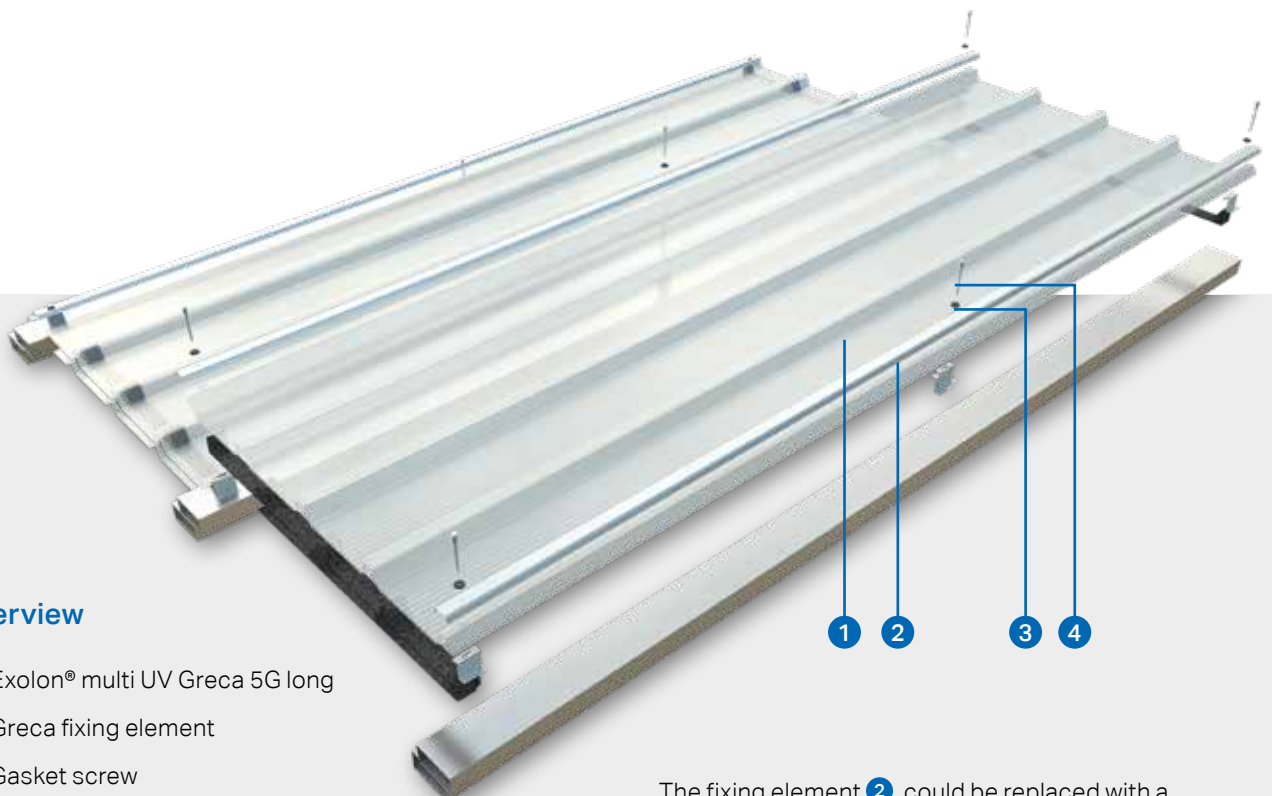




**Overview**

- ① Exolon® multi UV Greca 5G
- ② Self-drilling screw 6.3 x 80
- ③ Gasket screw
- ④ Panel Support Element (not provided by Exolon Group)

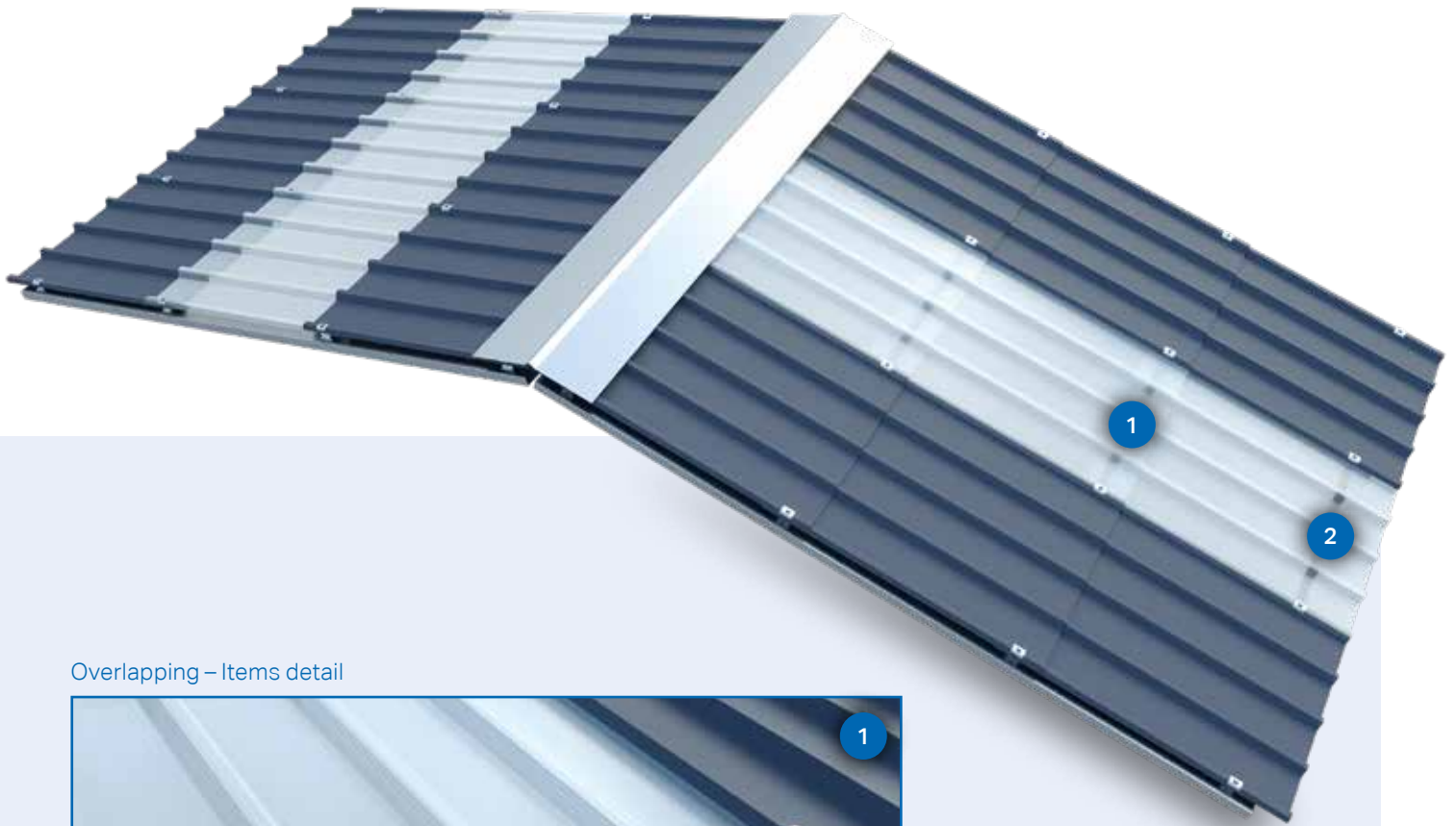
Exolon® multi UV Greca 5G can be installed together with suitable sandwich panels.



**Overview**

- ① Exolon® multi UV Greca 5G long
- ② Greca fixing element
- ③ Gasket screw
- ④ Self-drilling screw 6.3 x 80

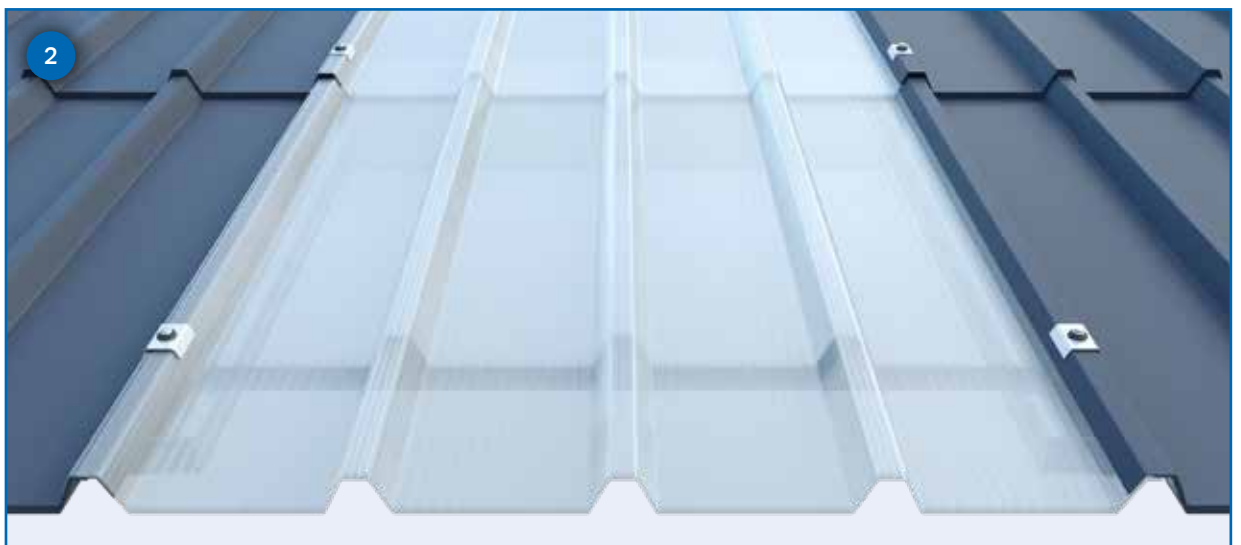
The fixing element ② could be replaced with a longer fixing element (not provided by Exolon Group)



Overlapping – Items detail

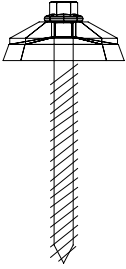
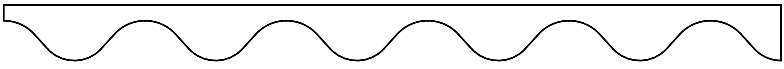


Bottom line with gasket

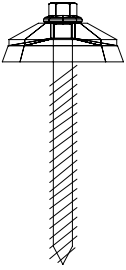
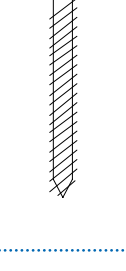
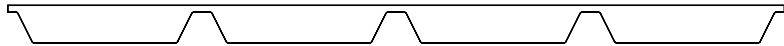



# Exolon® multi UV Corrugated Accessories

## Exolon® multi UV Onda

ACCESSORIES	CODE	DESCRIPTION
	33100064	Screw for wood / metal with gasket
	39100473	Onda filler top / bottom

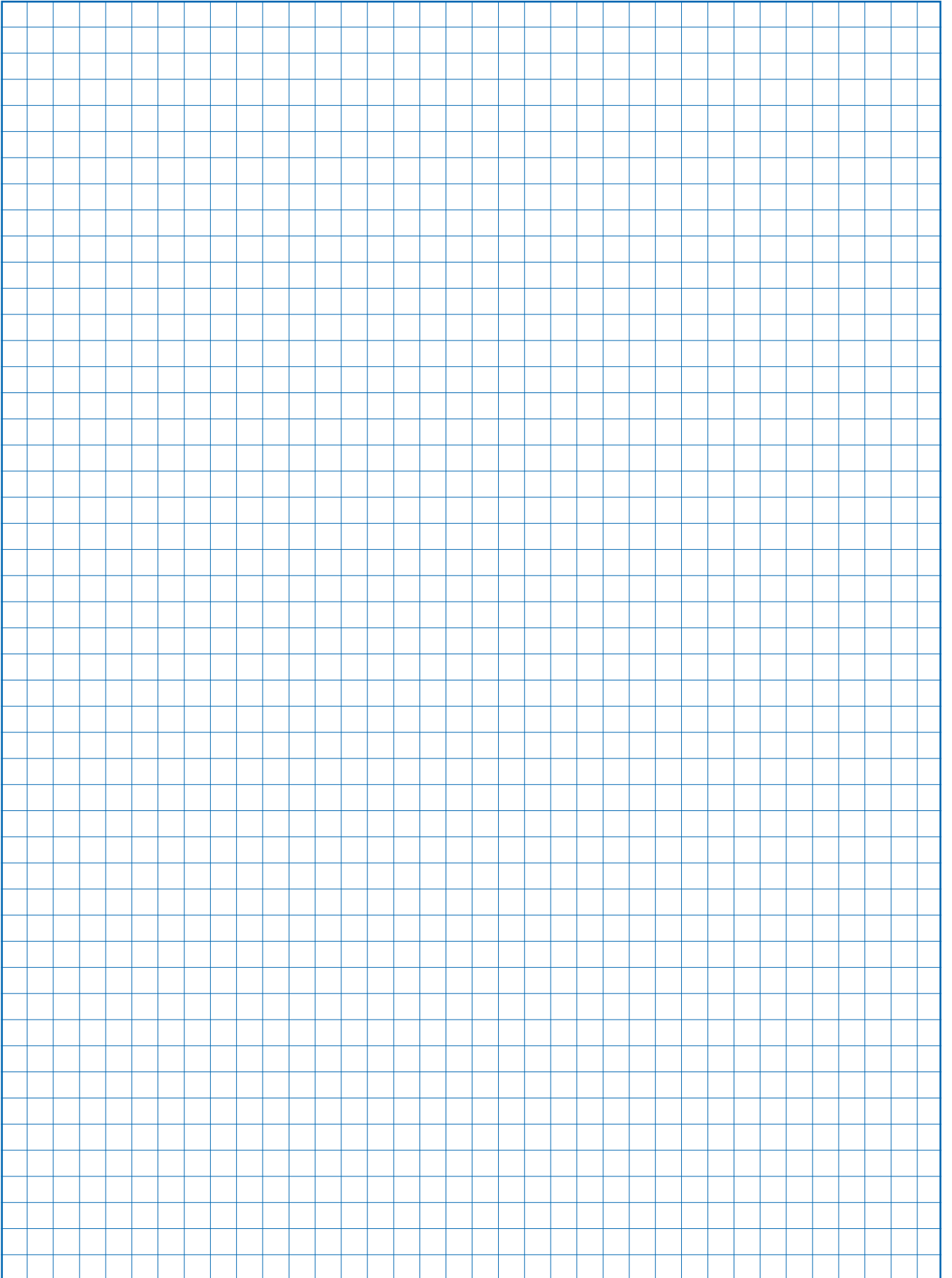
## Exolon® multi UV Greca 5G

ACCESSORIES	CODE	DESCRIPTION
	33100072	Screw for metal with gasket
	33100080	Screw for wood with gasket
	39100489	Greca filler top
	39100497	Greca filler bottom



# Notes

A large grid of graph paper for taking notes, consisting of 20 columns and 30 rows of small squares.



**exolon**  
GROUP



GOING BEYOND

Exolon Group S.p.A  
Strada Di Vagno 15/A –  
05035 Nera Montoro (TR)  
Italy

[sales@exolongroup.com](mailto:sales@exolongroup.com)  
[www.exolongroup.com](http://www.exolongroup.com)

The manner in which you use and the purpose to which you put and utilize our products, technical assistance and information (whether verbal, written or by way of production evaluations), including any suggested formulations and recommendations, are beyond our control. Therefore, it is imperative that you test our products, technical assistance, information and recommendations to determine to your own satisfaction whether our products, technical assistance and information are suitable for your intended uses and applications. This application-specific analysis must at least include testing to determine suitability from a technical as well as health, safety, and environmental standpoint. Such testing has not necessarily been done by Exolon Group. Unless we otherwise agree in writing, all products are sold strictly pursuant to the terms of our standard conditions of sale which are available upon request. All information and technical assistance is given without warranty or guarantee and is subject to change without notice. It is expressly understood and agreed that you assume and hereby expressly release us from all liability, in tort, contract or otherwise, incurred in connection with the use of our products, technical assistance, and information. Any statement or recommendation not contained herein is unauthorized and shall not bind us. Nothing herein shall be construed as a recommendation to use any product in conflict with any claim of any patent relative to any material or its use. No license is implied or in fact granted under the claims of any patent. Exolon® is a registered trademark by Exolon Group.  
Edition: 2024 · V2 · Order-No.: MF0444\_e\_2024 · Printed in Germany